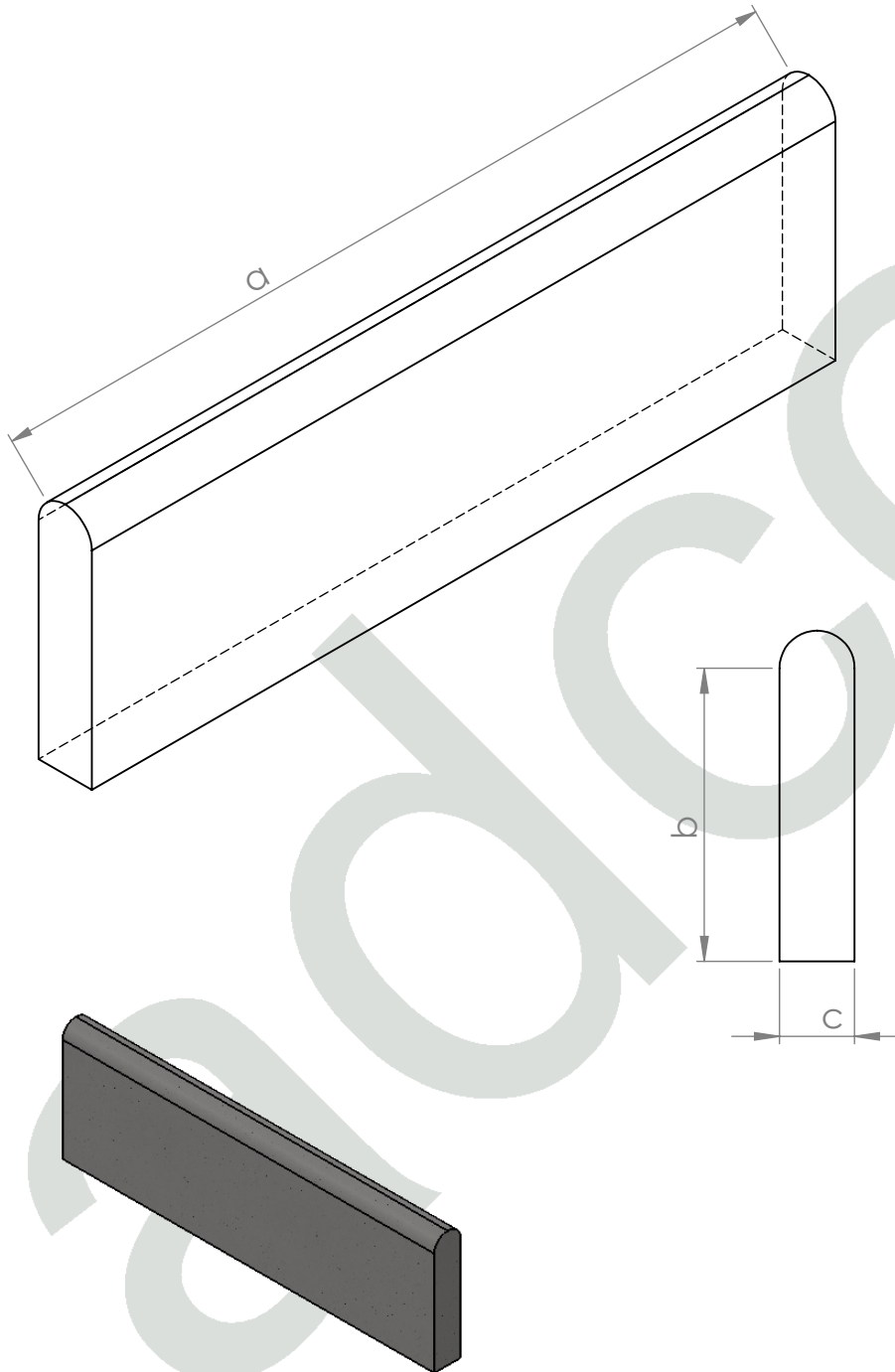


Product: Garden Kerb Round

Code: 5201-GK-R



Dimensions (mm)

- a. ~700
- b. ~230
- c. ~50

Concrete

- 30MPa compressive strength
- Standard colour : cement grey
- Other colours available on request
- Steel reinforcing on request

Unit Pack

60 per wooden pallet

Unit Weight

~19kg

E & O excluded

UPDATE
 February 2013.
 This supercedes all previous documentation

"Moulding your Order in Concrete"