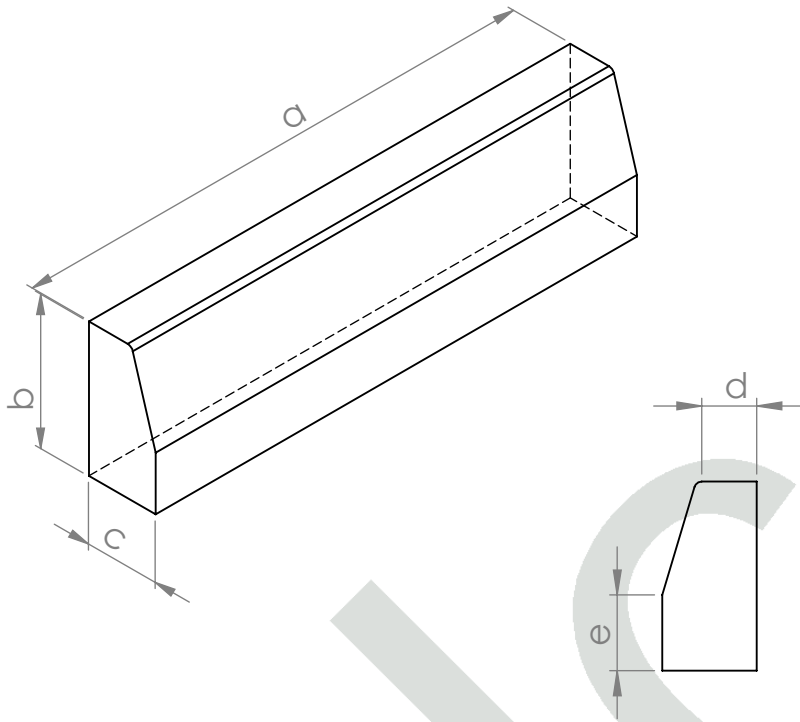


Product: COW Roadkerb

Code: 5303-RC-900MM
 5302-RC-450MM
 5301-RC-300MM
 5300-RC-225MM



Dimensions (mm)

- a. ~900
- b. ~250
- c. ~125
- d. ~80
- e. ~100

Concrete

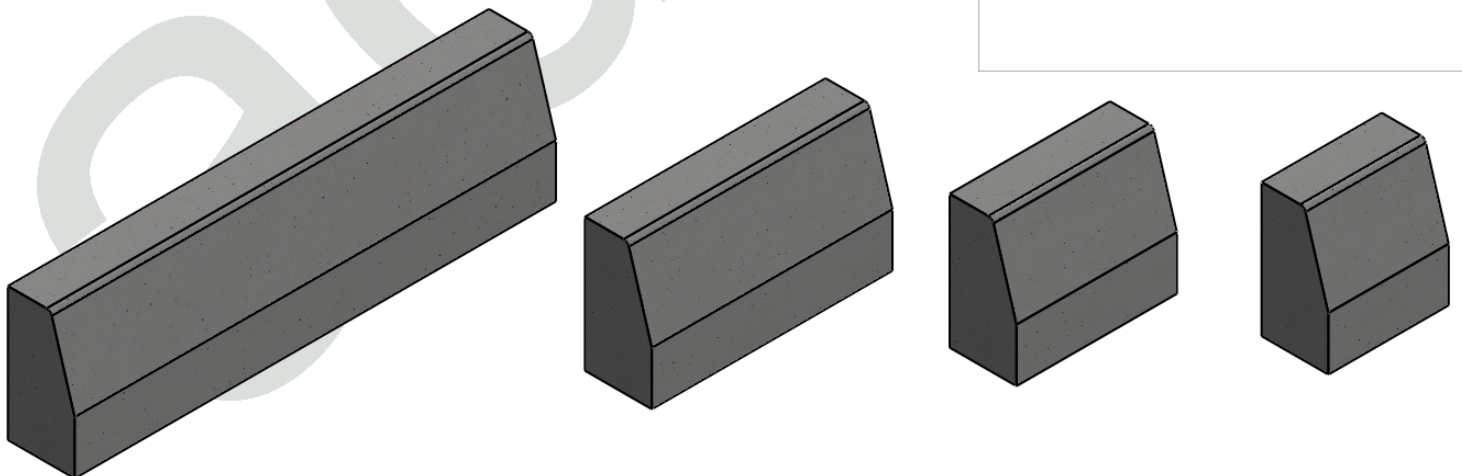
- Transverse strength requirement per set of 3 samples: minimum average transverse strength 11.8kN
 No single test result <9.44kN
- Standard colour : cement grey
- Other colours available on request
- Steel reinforced roadkerbs can be manufactured on request

Unit Pack

- 27x 900MM units per wooden pallet
- 54x 450MM units per wooden pallet
- 81x 300MM units per wooden pallet
- 108x 225MM units per wooden pallet

Weights

- i. Type 900 MM ~ 62kg
- ii. Type 450 MM ~ 31kg
- iii. Type 300 MM ~ 21kg
- iv. Type 225 MM ~ 16kg



E & O excluded

UPDATE
 February 2013.
 This supercedes all previous documentation